

SPECIFICATION SHEET

LED CEILING MOUNTED SUSPENDED EXIT SIGN

The new surface mount suspended exit sign has 18 LED's, a three hour emergency duration and a lumen output of 31lm.

Applications

- Offices
- Education Providers
- Retail



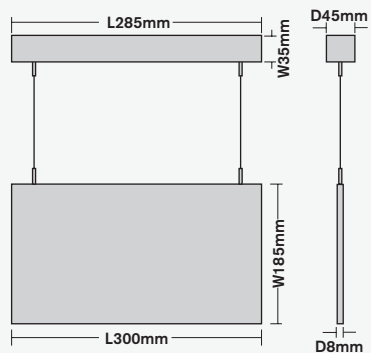
Specification

LED:	18 SMD LEDs
Material:	Polycarbonate body
Lumen Output:	31lm
Guarantee:	1 Year
Life Expectancy:	40,000 Hours
Working Temperature:	0°C - 40°C

Additional Information

- 3 Hours emergency duration.
- 3.6V 900mAh Ni-Cd Battery included.
- 60-120mA Charging current.
- 180-260mA Discharging current.
- Can be made non-maintained.
- Green and white finish.
- Overcharge and deep discharge protection.
- Supplied with up arrow legend.
- Wall and ceiling mount.

Dimensions



Code	Description	Dimensions Blade (L x W x D mm)	Dimensions Base (L x W x D mm)
HTLEDSM-1	3W	300 x 185 x 8	285 x 35 x 45
HTLED-LR			
HTLED-D			
HTLED-U			