



Product designation				Enclosed switch disconnecter
Product type designation				GAZ
Number of poles		Nr.		3
Operating voltage type				AC
<b>Contact characteristics</b>				
IEC Conventional free air thermal current I <sub>th</sub>		A		16
Rated insulation voltage U <sub>i</sub> IEC/EN		V		1000
Rated impulse withstand voltage U <sub>imp</sub>		kV		8
Operating current I <sub>e</sub>				
	AC21A			
		400V	A	16
		500V	A	16
		690V	A	16
	AC22A			
		400V	A	16
		500V	A	16
		690V	A	16
	AC23A			
		400V	A	16
		500V	A	16
		690V	A	16
Power dissipation per pole max			W	0.2
Rated operational power AC23A				
		400V	kW	7.5
		690V	kW	11
Conditional short-circuit current (rms)			kA	10
Short-circuit protection with fuse			Class/A	gG16
Making capacity AC23A 400V			A	160
Breaking capacity AC23A 400V			A	128
Mechanical life			cycles	100000
Electrical life AC21A			cycles	100000
<b>Mechanical features</b>				
Operating position		normal allowable		Vertical plan Any
Terminals				
		type		Pillar
		width	mm	5.6
		height	mm	6.5
		screw		M4
		tool		Phillips 2
Tightening torque for terminals				
		min	Nm	1.8
		max	Nm	2

	min	lbin	16
	max	lbin	18

Conductor section

IEC min	mm <sup>2</sup>	0.75
IEC max	mm <sup>2</sup>	16
AWG/kcmil min		18
AWG/kcmil max		6

**Ambient conditions**

Operating temperature

min	°C	-25
max	°C	+55

Storage temperature

min	°C	-40
max	°C	+70

Max altitude

m	3000
---	------

**Resistance & Protection**

Frontal IP degree

IP65

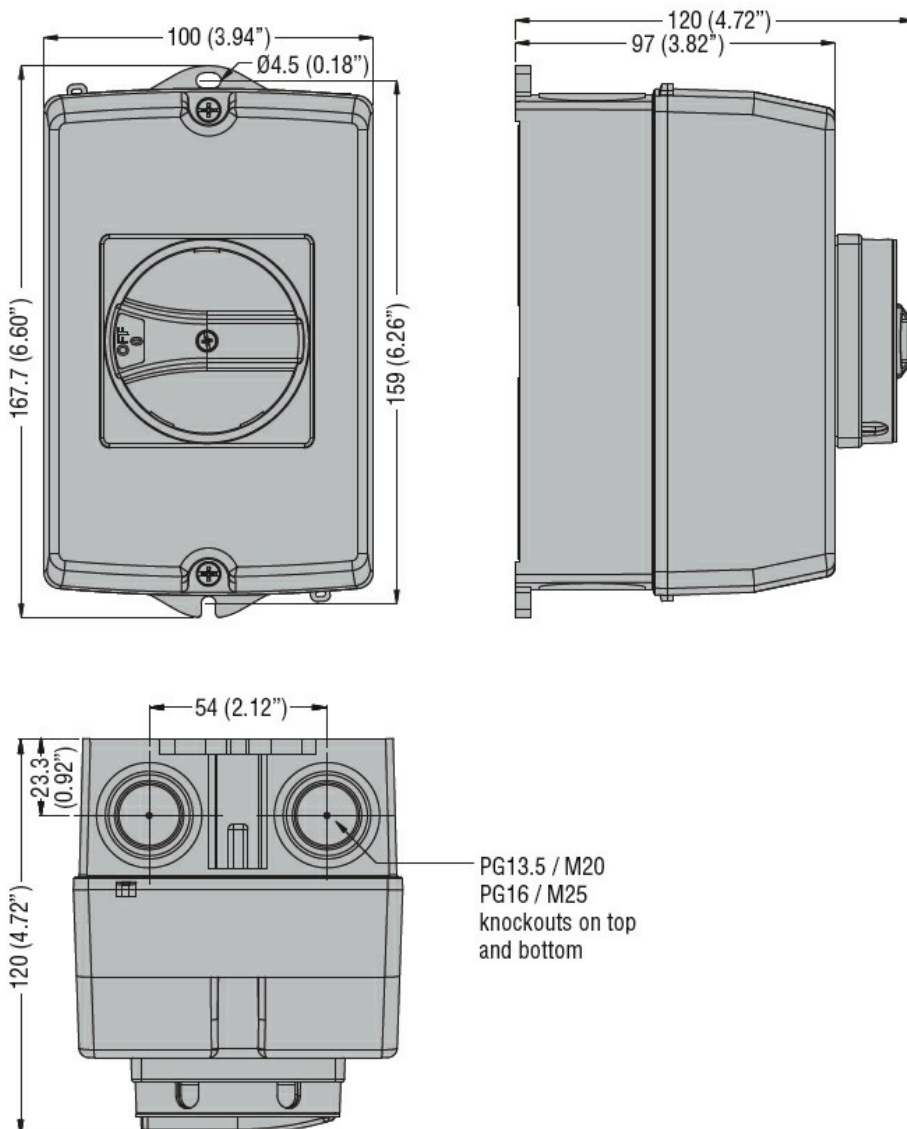
IP degree of protection

IP65

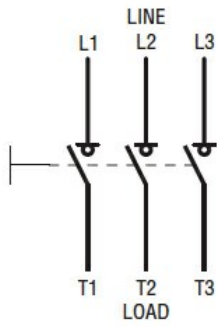
Pollution degree

3

**Dimensions**



### Wiring diagrams



### Certifications and compliance

#### Compliance

IEC/EN 60947-1

IEC/EN 60947-3

#### Certifications

EAC

### ETIM classification

ETIM 8.0

EC000216 -  
Switch  
disconnector